

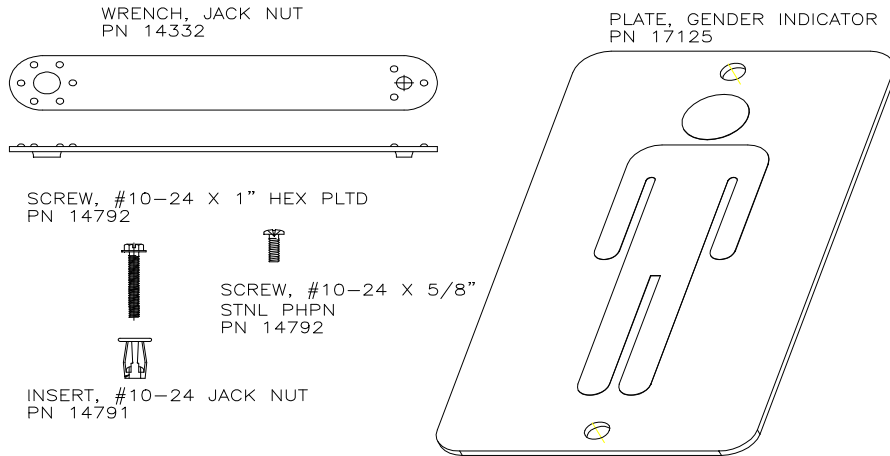
INSTRUCTIONS

MAXIM 3000® GENDER INDICATOR INSTALLATION

INTRODUCTION

Satellite portable restrooms and accessories must be assembled according to approved assembly procedures. Variations in assembly could adversely affect product life and warranty.

HARDWARE:



TOOLS:

- DRILL ELEC/CORDLESS,
- 3/8" DRILL BIT,
- FLAT HEAD SCREWDRIVER BIT

<p>Using plate as a template, mark holes position on door.</p>	<p>Drill (2) 3/8" (0.375") or 10 mm holes at marks being careful to only drill through outside wall of door.</p>	<p>Using Jacknut wrench and bolt provided, thread bolt through wrench (in the direction indicated on the tool) and into jacknut. Push jacknut into holes in door. Tighten the bolt until there is marked resistance in turning the bolt. (Caution: Wrench is thin metal- protect hand while using). Back out bolt. Repeat above to install second jacknut.</p>	<p>Attach Gender Indicator plate using (2) # 10-24 screws supplied.</p>

Note: All references to left and right are looking at the front of the unit.



SATELLITE INDUSTRIES, INC.

2530 Xenium Lane North, Minneapolis, MN 55441
 Telephone: 763-553-1900 Fax: 763-553-1905
 800-328-3332 / www.satelliteindustries.com