

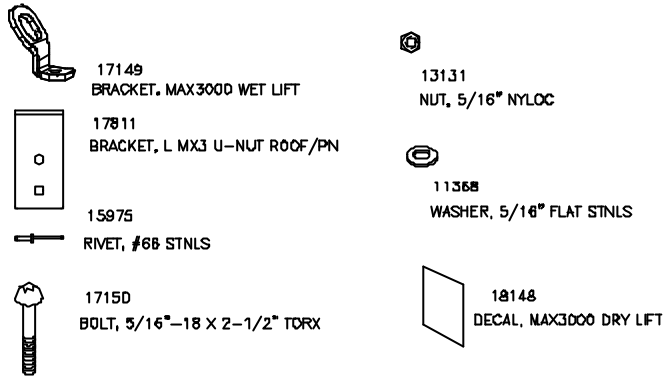
INSTRUCTIONS

MAXIM 3000â EUROPE DRY LIFT INSTALLATION

INTRODUCTION

Satellite portable restrooms and accessories must be assembled according to approved assembly procedures. Avoid variations in assembly procedures, which could adversely affect product life and warranty.

HARWARE



TOOLS

- #4 Phillips bit,
- T 30 Torx bit,
- T 40 Torx bit,
- Flat blade screw driver,
- #10 (.194") Drill Bit,
- Drill ELEC/Cordless,
- Rivet gun,
- Pliers,

Remove roof

Using T 30 Torx or #4 Phillips bit remove screws in roof- 10 total. Do not remove screw attaching upper spring arm to left panel.



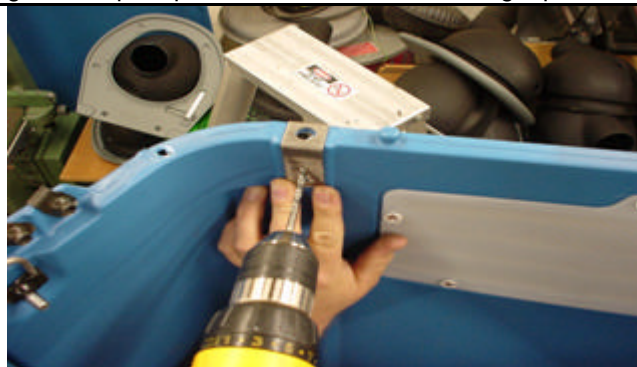
Remove u-nuts

With a flat blade screwdriver carefully remove u-nut in top front corner of left panel as shown (u-nut to be reinstalled later), also remove u-nut top rear corner of right panel.



Rivet L MX3 u-nut roof / pn (L-bracket) to panel

Place L MX3 (bracket) on inside of unit in front left corner as shown, (.500") [12.70mm] hole where u-nut was removed and hole in L MX3 (bracket) should be in alignment. Drill 2 holes in panel with #10 drill bit using L MX3 (bracket) as a guide. Repeat procedure in rear corner of right panel.



Rivet L MX3 (bracket) to left panel from outside unit with two #66 rivets. Same procedure for right panel.



Reinstall u-nut

Push u-nut back onto panel over L MX3 u-nut (bracket) in both left front and right rear corners of panels.



Reinstall roof

Place washer on Torx bolt and Torx bolt through Max 3000 lift bracket as shown below. Start bolt in barrel of u-nut using a T 40 Torx bit until a couple of threads are showing through barrel of u-nut. Hold Nyloc nut directly below barrel of u-nut with pliers and tighten Torx bolt (in both corners of the unit with L MX3 u-nut brackets).reinstall remaining roof fasteners.



Finished Assembly

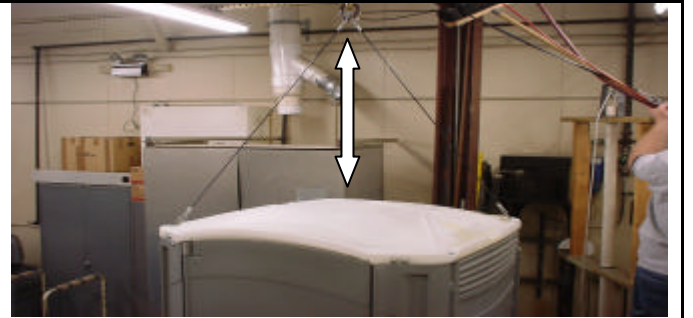
Note: Position of lift bracket!



Lift Point

“WARNING”

Distance from top of roof to lift point must be a minimum of (42”) [106.68cm]. Length of cable or chain to be used for lifting has to be a minimum of (100”) [254cm] or damage to the unit may result.



Note: Position of Warning Decal!



Warning !

- Lift rings on this toilet for dry (empty) lifting only
- Maximum Lift Weight: 264 pounds (120 Kg)
- Do not use for high rise lift
- Maximum lift height off ground: 5 feet (1.5 meter)
- Roof top to lift point min. distance: 42” (1.1 meter)
- Minimum Lift cable length 100” (2.54 meter)



Satellite Industries Europe: 67 avenue de la Toison d'Or - 1060 Bruxelles - Belgium
tel : 0032 / 2-542 56 56 fax : 0032 / 2-542 56 57
moreinfo@satellite.be - www.satellite.be