

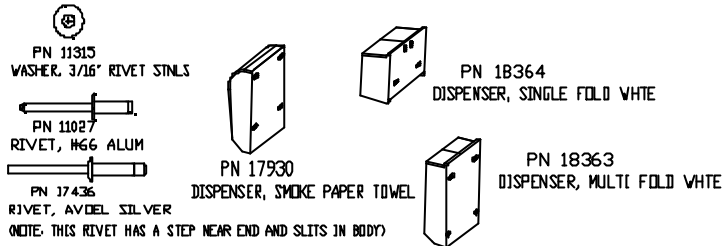
INSTRUCTIONS

PAPER TOWEL DISPENSERS INSTALLATION

INTRODUCTION

Satellite portable restrooms and accessories must be assembled according to approved assembly procedures. Variations in assembly could adversely affect product life and warranty.

HARDWARE



TOOLS

- DRILL ELEC/CORDLESS
- #10 DRILL BIT
- RIVET GUN

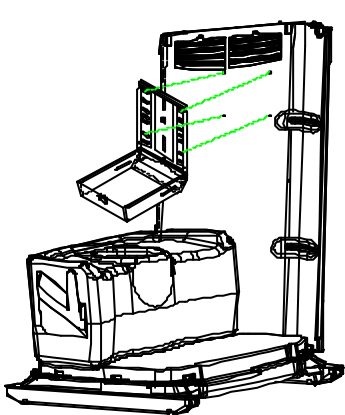
*Open dispenser by inserting key (taped to back) into small slot in top of dispenser.

MAXIM3000

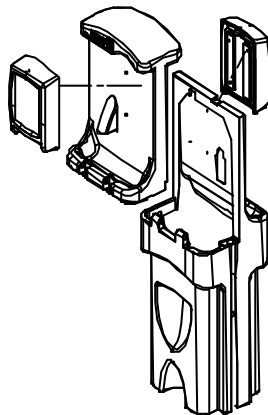
1. Locate and drill (2) #10 (0.194)[5mm] holes into the top dimples on the right side panel approximately 10" down from roof being careful to only drill through the inside wall of the panel. Using (2) lowest holes in back plate of dispenser as a template, mark position of holes on right side panel.
2. Drill (2) #10 (0.194)[5mm] holes at marks being careful to only drill through the inside wall of the panel.
3. Rivet back plate to side panel with the (4) Avdel silver rivets
4. Install towels and close

TUFWAY

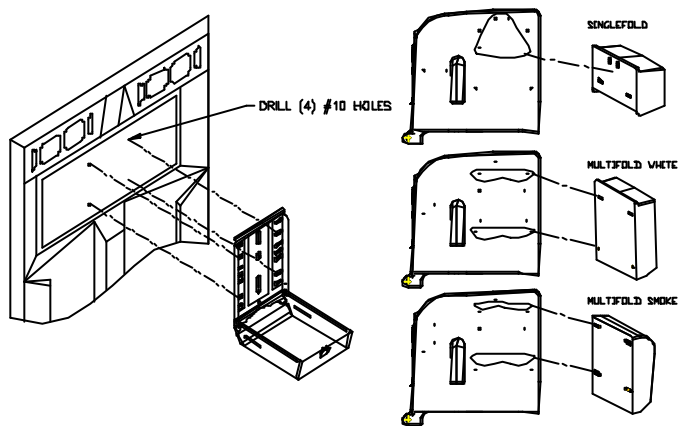
1. Place the open paper towel dispenser on the rear panel in the center of the logo area. Mark locations for the rivets in the center of the four slotted holes in the back plate of the paper towel dispenser.
2. Drill four #10 (0.194) [5mm] holes at the locations just marked.
3. Inserting the rivets #11027 from the outside of the unit. Rivet the paper towel dispenser to the rear panel, using the backup washers #11315 inside the dispenser.
4. Install towels and close.



BREEZE



WAVE



1. Locate and drill (4) #10 (0.194)[5mm] holes into the dimples on the right side of the Breeze grey tank and basin. There are dimples for (3) different Satellite towel dispensers. Choose the appropriate set of dimples for your dispenser so the top of the dispenser is approximately 1/2" down from the top.
2. Rivet back plate of dispenser with the (4) #17436 Avdel Silver Rivets to the tank and basin.
3. Install towels and close

1. Locate and drill (4) #10 (0.194)[5mm] holes into the dimples on the side of the wave cover toward the rear. **NOTE: USE ONLY THE REQUIRED HOLES FOR THE DISPENSER YOU ARE USING.**
2. Insert #11027 rivets from the outside through the back plate of the dispenser. Rivet the paper towel dispenser to the cover, using #11315 backup washers inside the cover.
3. Install towels and close



Satellite Industries Europe: 67 avenue de la Toison d'Or - 1060 Bruxelles - Belgium tel : 0032 / 2-542 56 56 fax : 0032 / 2-542 56 57
 moreinfo@satellite.be - www.satellite.be